

# Airbag Dock Leveler

# BLUE GIANT®

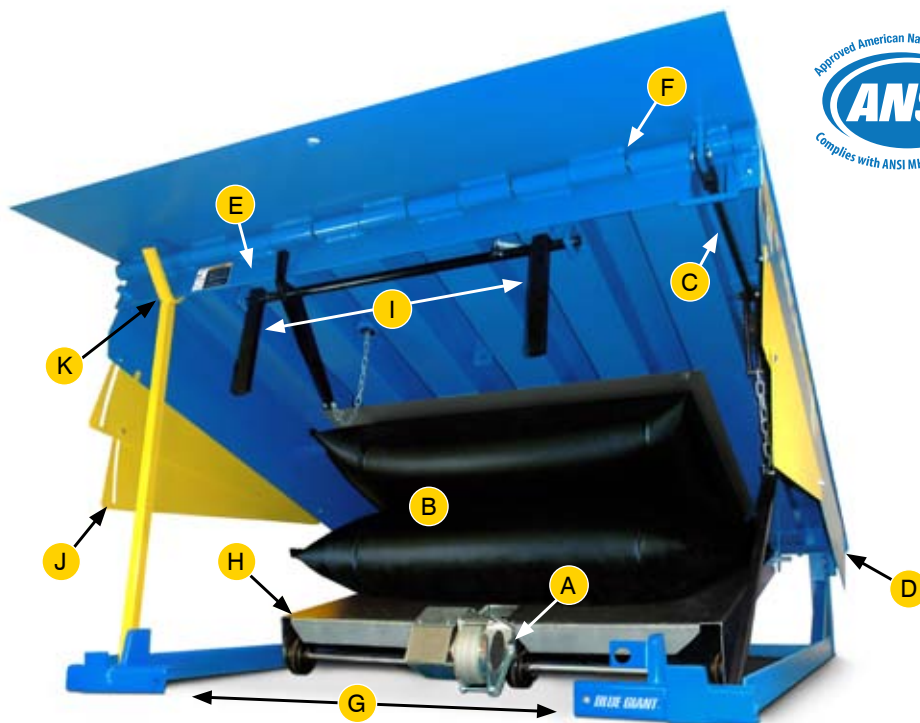
## The Power of Air

Available in  
**30,000, 35,000, 40,000 and 45,000 lb**  
 (13,636, 15,909, 18,144 and 20,454 kg)  
 Rated Capacities



### STANDARD FEATURES

- A 115V / 1PH Blower Motor:**  
Activates the leveler by delivering air on demand.
- B Heavy-Duty Air Bag:**  
Damage-resistant and reliable performance in all temperature conditions.
- C Lip Deployment Mechanism:**  
Enables reliable lip deployment.
- D Deck Flex Design†:**  
Continual contact for a smooth transition with rear floor.
- E Unified Headboard System:**  
Increases the structural integrity of the dock leveler at the front—allowing it to accommodate heavy-duty applications.
- F One-Piece Lip Hinge Pin:**  
The continuous, piano hinge style enables even load distribution, making the lip structure up to five times stronger than major competitor models.
- G 20" Deep Clean Pit Frame:**  
Remove dirt and debris quickly and easily without incurring costly downtime.
- H Air Bag Roller Tray:**  
Anti-corrosive, extending the life of components.



### SAFETY FEATURES

- I Mechanical Fall-Safe Legs:**  
Limits platform free-fall.
- J Metal Toe Guards:**  
Full operating range painted safety yellow as specified by ANSI Z535.1.
- K Maintenance Stand with Lockout Capability:**  
Secures the deck and lip in the raised position, enabling safe and thorough under-deck cleaning and maintenance.

†Not all features visible in photo.

### Easy to Operate

- When activated by the control station the air bag inflates, raising the deck and deploying the lip in a continuous upward motion. After the button is released, the bag deflates, allowing the platform to lower onto the truck bed.

### Structural Integrity

- A minimum of six heavy-duty U-beam channels are welded to the underside of the deck at dynamic impact points, preventing 'dishing' and extending deck life by up to 50% compared to competitor models.
- The unified headboard system increases system integrity and minimizes the risk of structural damage.

### The Power of Air

- The high-volume, low-pressure (HVLP) air lifting system is an environmentally friendly alternative to oil-powered hydraulics.
- Air-powered performance is activated by a single push button control station: requires no bending or pulling on the part of the operator.

### Designed with Safety in Mind

- The air bag can operate in extreme temperature conditions and withstand pressure without overinflating.
- PVC-coated polyester fibres make the bag resistant to chemical or puncture damage.
- The deck flexes under load to allow a smooth cross-docking transition, lowering the risk of worker injury and cargo or equipment damage.
- The fall-safe system provides additional protection by limiting platform free-fall.

### Available Options

- 230V / 1PH / 50-60Hz blower motor
- Shallower and deeper frame options
- 18" (457mm) or 20" (508mm) long lip
- Brush and rubber weather seals
- Pre-assembled pour-in pan (with dock leveller already installed)
- New construction pit kit
- Curb angle set

# Advance to the Next Level

## Increased Safety and Performance Options

Blue Giant vehicle restraints make cross-docking activity safer. Our models are low-profile, have a wide restraining range, and can engage a wide variety of ICC bars. All powered restraint-airbag dock leveler combos come standard with the Blue Genius™ Gold Series III Control Panel and traffic lights package. The Blue Genius™ can be upgraded to support door control capability. Operate all commercial overhead door models with the simple touch of a button.



**StrongArm™ SVR303:** This award-winning hydraulic vehicle restraint delivers advanced functionality and security to loading dock operations. The 8" (203mm) high profile is one of the lowest in the industry, reducing the risk of impact damage. The patented Intelligent Positioning System (IPS) does not use mechanical switches and sensors to detect the ICC bar, resulting in more dependable performance. Fully submersible, operation of the SVR303 is not impeded by wet or flooded conditions.



**StrongArm™ HVR303:** The HVR303 electric vehicle restraint secures a trailer to the loading dock via an electro-mechanical hook design. Easy to install and eco-friendly, the HVR303 combines advanced engineering, positive holding ability, and sophisticated touch controls to make your loading dock safer than ever before.



**StrongArm™ TL85:** The TL85 hydraulic vehicle restraint combines a simple design, heavy-duty performance, and minimal maintenance requirements. An automatic arm valve keeps the restraint arm securely in the locked position. Available with a self-contained or remote power pack to suit site requirements.

## Blue Genius™ Control Panel:



Blue Genius™ – combo with door buttons shown.

## Seals and Shelters



Blue Giant dock seals and shelters improve climate control, support energy efficiency, and protect employees and cargo from the elements. Many configurations are available from basic compression seals, rigid shelters, and inflatable models to advanced hybrid designs.

## Light Communication Packages

The **Manual Light Communication Package** consists of an indoor and outdoor set of signal lights manually operated to communicate safety conditions to both workers and truck drivers.

An **Automatic Lights Communication Package**, has a sensor that detects the status of the dock leveler and automatically signals when the dock is parked.

Both packages minimize the risk of unscheduled truck departure and worker injury.

