

# Duff-Norton

## INSTALLATION AND MAINTENANCE INSTRUCTIONS

## COFFING® CT SERIES TROLLEYS (4 and 5 Ton)

PUBLICATION PART NO. CT5-698

### SECTION I INSTALLATION

#### 1-1. General Information

The Coffing CT Series 4 and 5 ton trolleys are designed for use with most hook mounted hoists. They can be mounted on American Standard I-beams from 8 to 18 inches high. Adjustment for different beam dimensions is accomplished with the proper placement of spacer washers as described below.

#### 1-2. "I" Beam Adjustment

The flange width of the beam on which the trolley is to be mounted should be measured and the trolley adjusted by moving spacer washers to achieve a beam to wheel spacing of approximately  $\frac{3}{32}$ " (point C of Figure 1). The same number of washers should be used on each side of the hanger bar.

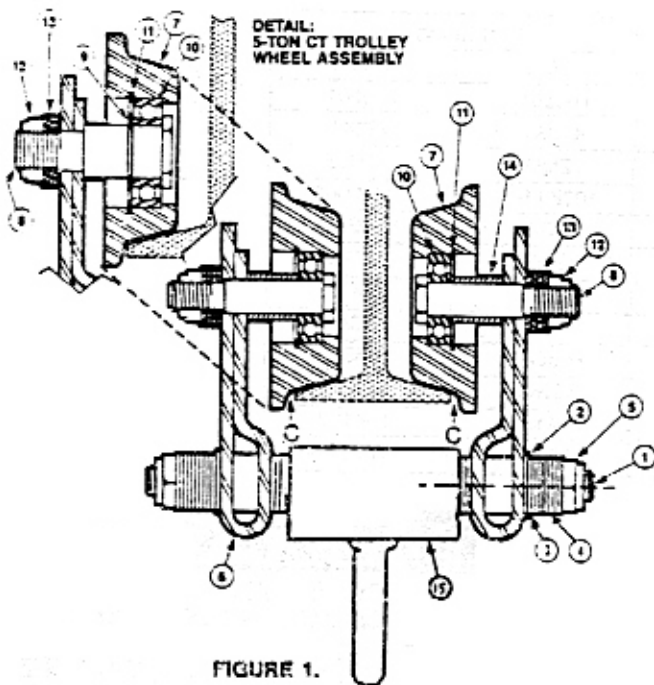


FIGURE 1.

### SECTION II MAINTENANCE

#### 2-1. Periodic Inspection

The trolley should be inspected periodically for evidence of excess wear or overload. Parts should be replaced as required.

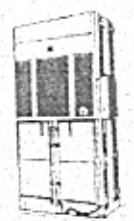
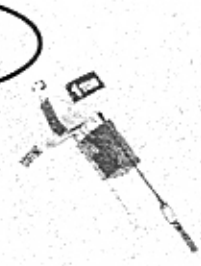
#### 2-2. Lubrication

Trolley wheels are equipped with sealed, lifetime lubricated, precision ball bearings which should not require relubrication for the normal service of the trolley.

### CHART 1. PARTS LIST

SYMBOL NO.	PART NAME	PART NUMBERS	
		4-TON	5-TON
1	Load Pin	103K1	103K1
2	Washer (1/8" Thick)	H-4211	H-4211
3	Washer (.135" Thick)	H-4209	H-4209
4	Washer (.075" Thick)	H-4210	H-4210
5	Nut	H-3945	H-3945
6	Side Plate	5KG4	5KG31
7	Wheel	45K7	45K20
8	Axle	102K1	102K2
9	Retaining Ring	Not Required	H-5530
10	Bearing	500K4	500K5
11	Retaining Ring	H-5528	H-5529
12	Nut (Axle)	H-3945	H-3946
13	Washer	H-4211	H-4212
14	Spacer	200K1	Not Required
15	Hanger Bar	50KG50	50KG50

**BEATON**



OVERHEAD EQUIPMENT HOISTS

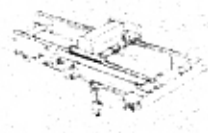
ERGONOMICS

HYDRAULIC BALERS

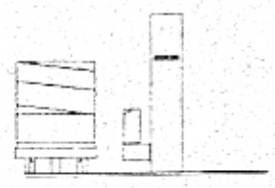
- AIR CURTAINS
- BALERS/COMPACTORS
- BELOW HOOK
- BENCHES/CARTS/TOOLS
- BRIDGE CRANES
- CABINETS
- CASTERS/WHEELS
- CONTAINERS/WHEELS
- CONVEYORS
- DOCK EQUIPMENT
- ENGINEERED SYSTEMS
- FLOOR MATTING
- OVERHEAD DOORS
- DRUM HANDLING
- FLAMMABLE CABINETS
- FLOW RACK
- GANTRY CRANES
- GUARD RAIL
- HAND TRUCKS
- HIGH SPEED ROLL UP DOORS
- HOISTS
- INDUSTRIAL BATTERIES
- INDUSTRIAL VACUUMS
- INPLANT OFFICES
- INSTALLATIONS
- JIB CRANES
- LAYOUTS/DESIGNS
- LIFTERS
- LIFT TABLES
- LOCKERS
- MACHINE MOVERS
- MESSAGE TRANSFER
- MEZZANINES
- MODULAR DRAWER CABINETS
- MOBILE AISLE STORAGE
- OFFICE FURNITURE
- OVERHEAD LIFTING EQUIPMENT
- PALLETS
- PALLET TRUCKS
- PERSONNEL LIFTS
- SAFETY LADDERS
- SCALES
- SELF DUMPING HOPPERS
- SERVICE/SERVICE CONTRACTS
- STACKER CRANES
- STORAGE PRODUCTS
- STRETCH WRAP MACHINES
- SHIPPING SUPPLIES
- TABLES
- TOILET PARTITIONS
- AND MANY MORE...



CONVEYOR



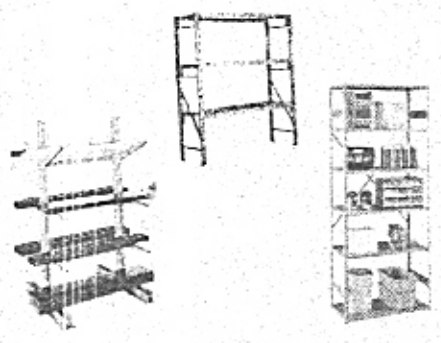
BRIDGE CRANES



WRAPPERS



SLINGS



RACKING/SHELVES



SHOP EQUIPMENT



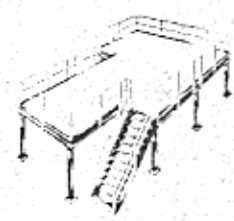
HAND TRUCKS

**Beaton Industrial, Inc.**

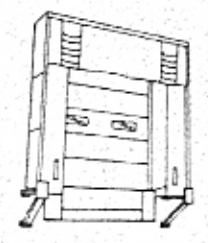
6083 Trenton Road  
 Utica, NY 13502  
 Ph. 1-800-724-4052 (N.Y. Only)  
 Ph. 1-315-797-9346  
 Fax 1-315-797-9321  
 e-mail:  
 beaton@deamscape.com  
 Web:  
 www.BeatonIndustrial.com



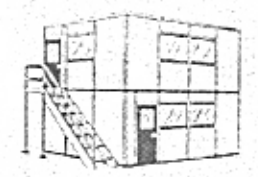
PULLERS



MEZZANINES



DOCKS, DOORS, SEALS



INPLANT OFFICES

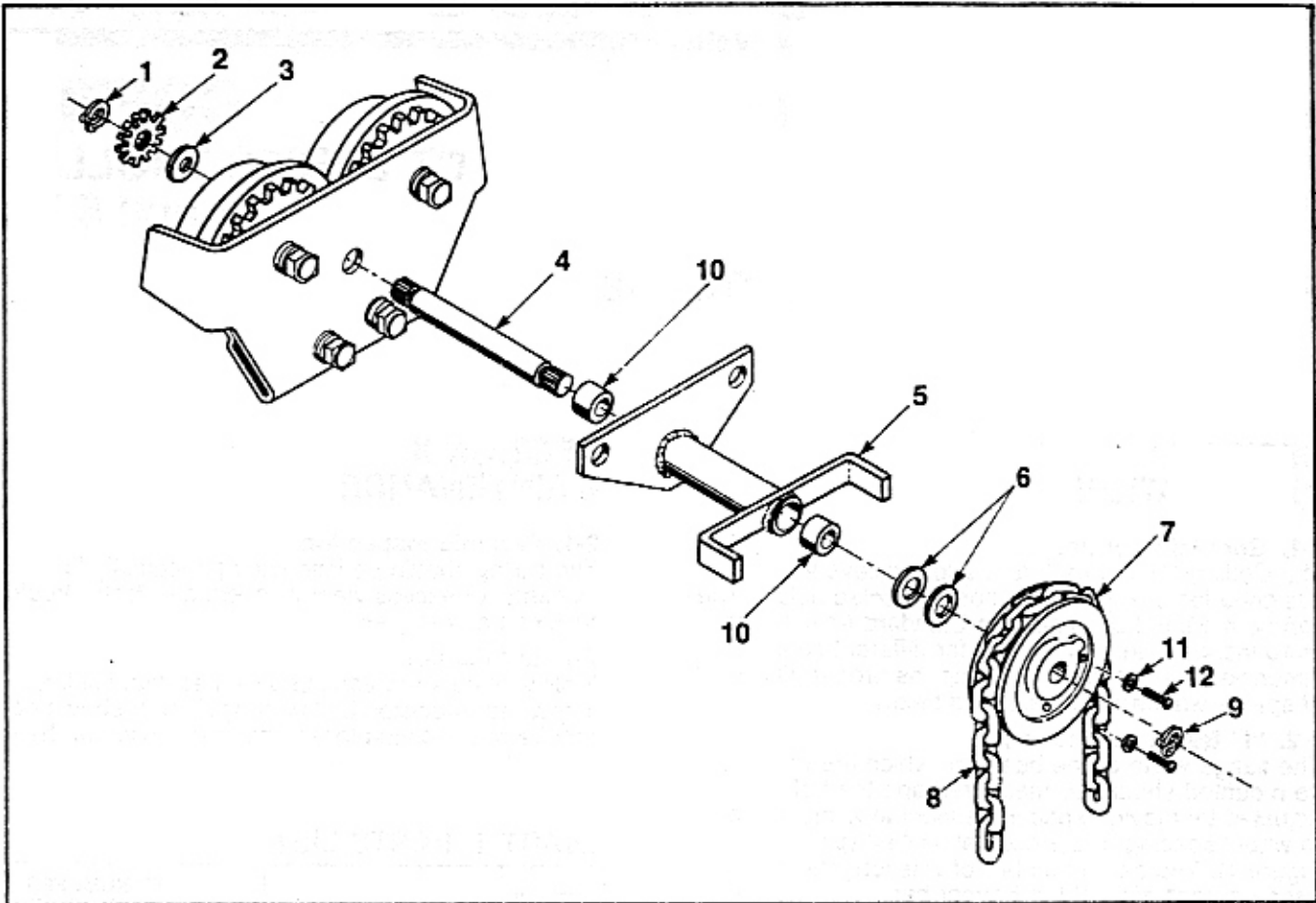
HOIST AND CRANE REPAIR CENTER  
 INSTALLATIONS, PARTS, SERVICE  
 DESIGN/LAYOUT/ FABRICATIONS,  
 APPLICATION STUDIES  
 CRANE & HOIST INSPECTIONS



CASTERS

**"Specializing In Materials Handling"**

## CT SERIES TROLLEYS (GEARED) (4 & 5 Ton)



Index No.	Part Name	Part Number	
		4-Ton	5-Ton
1	Retaining Ring	H-5501	H-5501
2	Pinion	420K1	420K1
3	Spacer Bearing	525K2	525K2
4	Gear Shaft	100K14-2	100K14-2
5	Sleeve & Adapter Ass'y	51KG8-1	51KG2-3
6	Spacer Bearing	525K1	525K1
7	Hand Chain Wheel	33K13	33K13
8	Hand Chain	53A	53A
9	Retaining Ring	H-5527	H-5527
10	Bearing	530K6	530K6
11	Lockwasher	H-4138	H-4138
12	Bolt	H-2304	H-2304

**Duff-Norton**

P.O. Box 7010  
Charlotte, NC 28241-7010

Customer Service (704) 588-2720  
Parts Service (704) 588-2323  
FAX (704) 588-1994  
TELEX 576188