

# COFFING HOISTS SERVICE INFORMATION

## COFFING<sup>®</sup> HOISTS

PO Box 779  
Country Club Rd.  
Wadesboro, NC 28170 USA

Phone 704-694-2156  
Fax : 704-694-3719

**Date :** November 9, 2001  
**To :** All COFFING HOISTS Service Centers  
**From :** David Huntley – Product Manager  
**Subject :** 2-Button Pushbutton Stations

---

Beginning mid to late December Coffing Hoists will change to a New Type of Pistol Grip 2 –Button Station. This New Pushbutton station will replace our current 2-button single speed stations. The new station is UL & CUL Type I approved and has an IP rating of 65. A definition of the International Standards' IP Protection Classification is in Example 1 and IP65 is defined in Example 2:

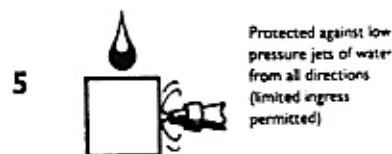
Example 1

### Specification

IP 2 3  
Characteristic letters  
1st characteristic numeral (Protection against solid objects)  
2nd characteristic numeral (Protection against liquids)

An enclosure with this designation is protected against the penetration of solid objects greater than 12mm and against spraying water.

Example 2



This is a greater degree of protection than our standard NEMA 3R stations. This type of pushbutton station will replace our 2-button / 2-speed stations and our combination of 4-button stations within the next year. We will keep you updated on these additional changes.

When the current pushbutton stock is depleted, the new station will directly replace the current style. If you order a new station for repair, you will also receive new wire terminals. The old style terminals on the pushbutton cable will need to be removed and the new terminals installed. This is a very minor modification and can be completed very quickly.

Old Part Number	New Part Number
534K97B	36900



List Price  
\$95.45



List Price  
\$54.31

If you have any other questions regarding this pushbutton change please contact your District Sales Manager.

Best regards,

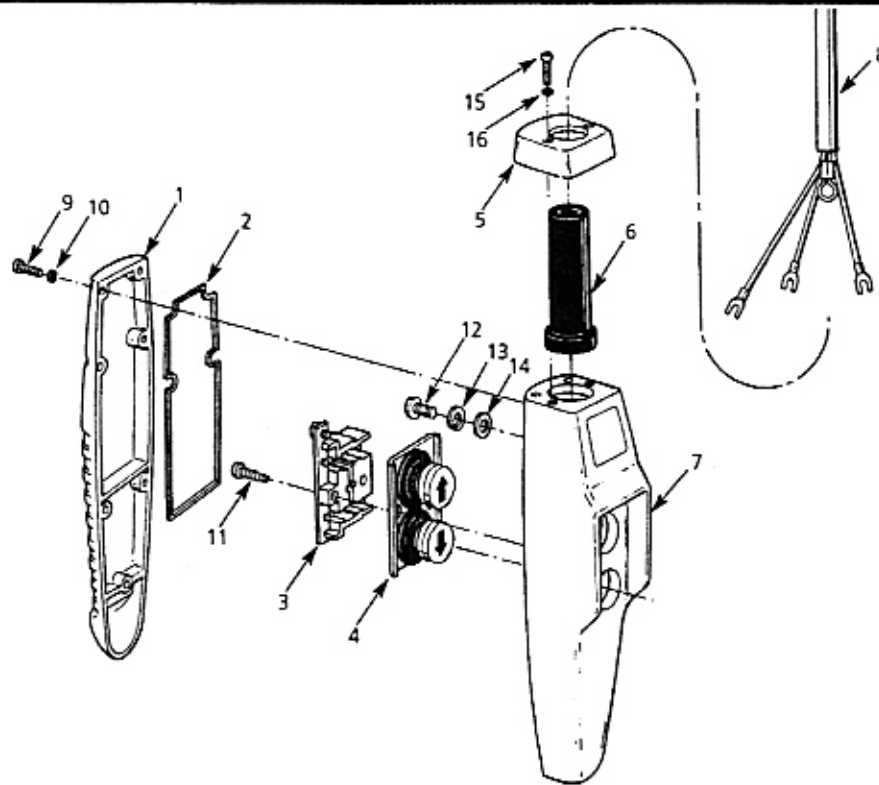
David Huntley

Coffing Hoists

Product Manager

For Reference Only – Final Parts View May Change

## 2-Button, 1-Speed Standard Pendant



### Parts List for 2-Button, 1-Speed Standard Pendant

Ref. No.	Description	Part No.	Qty
*	Pushbutton Station & Conductor Cable Assembly (Includes Ref. Nos. 1-17)		1
*	Pushbutton Station (Includes Ref. Nos. 1 - 15)	36900	1
1	Rear Cover	36998	1
2	Gasket	36986	1
3	Contact Assembly	36987	1
4	Button Assembly	36988	1
5	Housing Cap	36918	1
6	Grommet	36989	1
7	Housing	36969	1
8	Conductor Cable Assembly	.	1
*	Hardware Kit (Includes Ref. Nos 9 through 16 - all screws and lockwashers needed for the pushbutton station)	36939	1