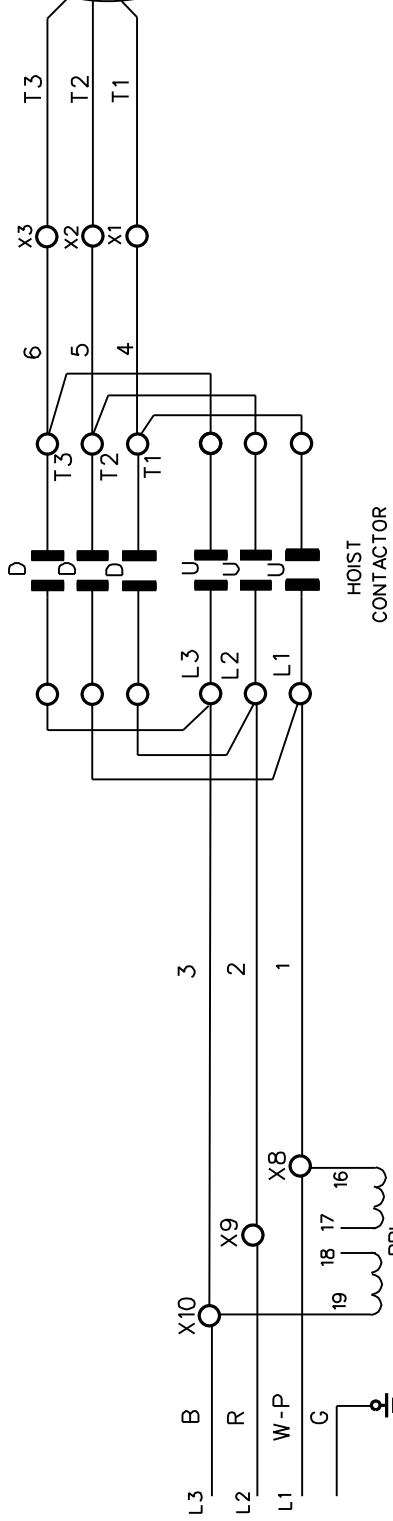
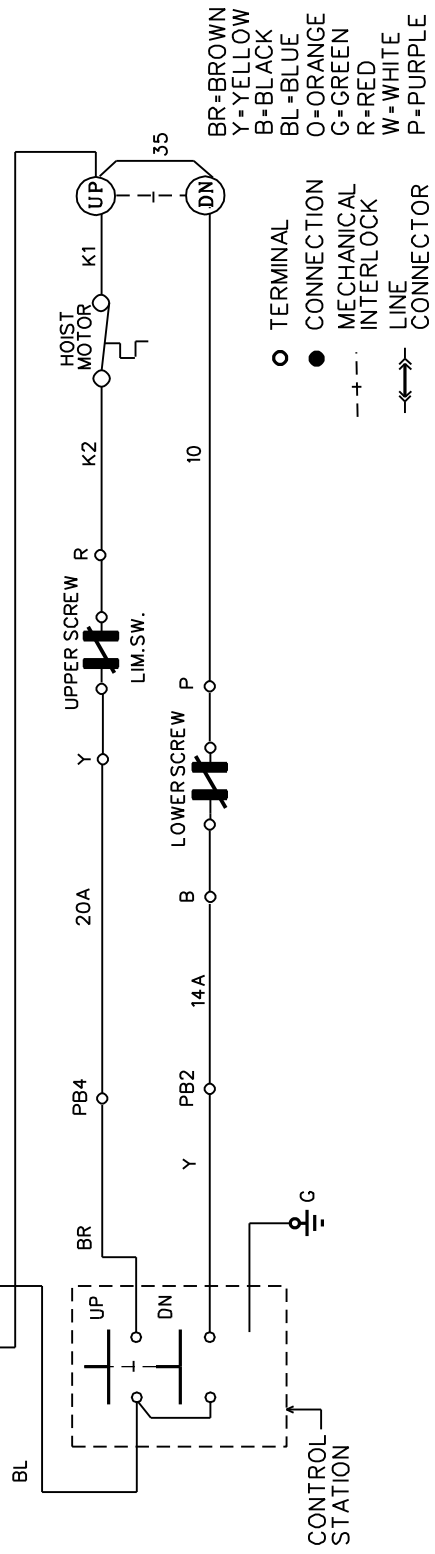
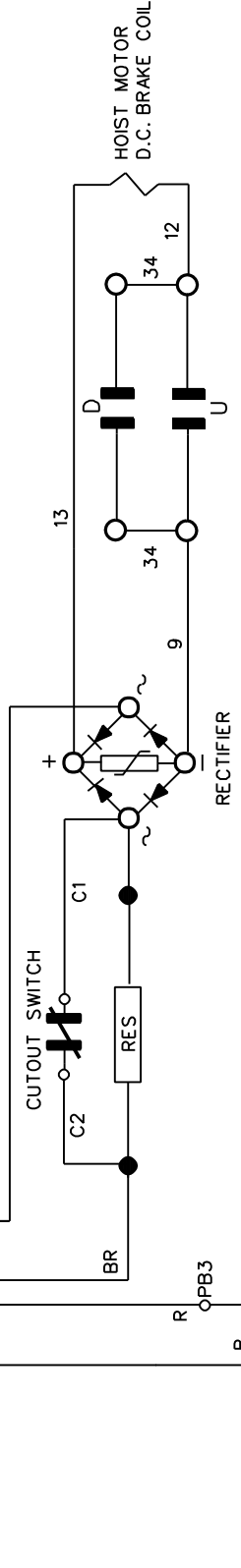


HOIST MOTOR



TRANSFORMER

HOIST CONTACTOR



- TERMINAL
 - CONNECTION
 - - - MECHANICAL INTERLOCK
 - ← - - -> LINE CONNECTOR
- BR=BROWN
 - Y=YELLOW
 - B=BLACK
 - BL=BLUE
 - O=ORANGE
 - G=GREEN
 - R=RED
 - W=WHITE
 - P=PURPLE

NOTE: UNTERMINATED LEADS ARE CONNECTED AS FOLLOWS:

AT HOIST TERMINAL BOARD	
LEAD NO.	CONNECTED TO TERMINAL
T4	X7
T5	X7
T6	X7
T7	X1
T8	X2
T9	X3
17	X10
18	X8
X4	X4
X5	X5
X6	X6
X4	X4
X6	X6
X7	X7
X7	X7



COLUMBUS MCKINNON CORPORATION
INDUSTRIAL PRODUCTS DIVISION
140 JOHN JAMES AUDUBON PARKWAY
AMHERST, NEW YORK 14228-1197

WIRING DIAGRAM

POWERSTAR HOIST
2-15 TON
230 / 460-3-60

DATE 10-17-97
B - 71925